

ScrubDry Drum Scrubbers

Fact Sheet

Air Pollution Control Equipment

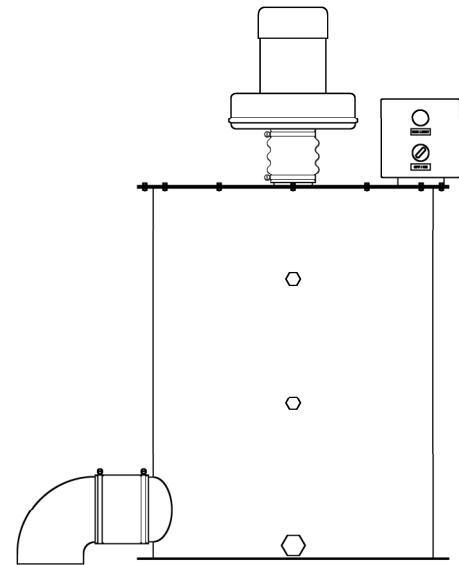
ScrubDry Drum Scrubbers are air pollution control systems designed to remove odor compounds, corrosive gases and hazardous air pollutants.

Description...

ScrubDry Drum Scrubbing Systems are extremely effective in the removal of hundreds of different air contaminants.

These systems are designed to be utilized in conjunction with BioTriad's advanced dry scrubbing media.

BioTriad offers standard self contained models as well as the customization of specialty air purification systems.



Advantages...

ScrubDry units don't require chemicals, pumps, or liquids of any kind; water and sewer connections are not needed.

Available for purchase, short and long term rentals, and supply programs.

Supply Programs combine equipment use and media with several levels of service and field support.

Applications...


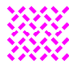

- Industrial Exhaust Streams
- Leachate Treatment Plants
- Petrochemical Facilities
- Pumper & Hauling Trucks
- Sewer Collection Systems
- Wastewater Facilities

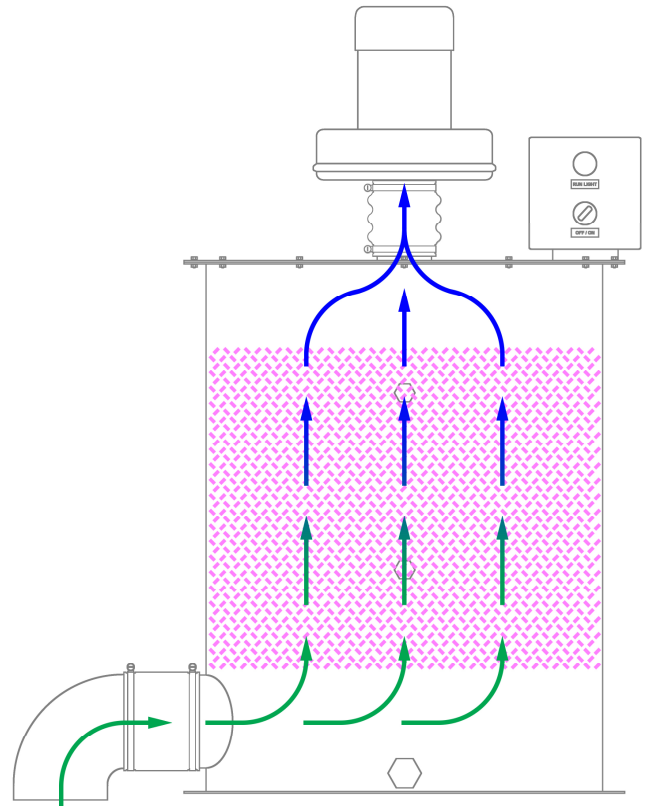
How it Works... Drum scrubbers utilize two different types of media; Activated Carbon and Impregnates.

Contaminated air is forced through the media within the drum scrubber.

Contaminants will adhere to activated carbon and become electrostatically trapped in the surface pores.

Reactions within impregnates will irreversibly change contaminant gases into harmless solids.

-  = Clean Uncontaminated Air
-  = Dry Scrubbing Media
-  = Contaminated Air



Construction... Dry scrubbers can be constructed from the following materials: Aluminum, Polyethylene, Polypropylene, Steel, 304 and 316 Stainless Steel.

Model	Capacity	Dimensions	Motor	Electrical	CFM
SD-100	5 ft ³	24" w X 52" t	1/3 HP	110/220 VAC	100
SD-200	8 ft ³	28" w X 58" t	3/4 HP	110/220 VAC	200
SD-300	12 ft ³	32" w X 66" t	1 HP	110/220 VAC	300
SD-500	20 ft ³	48" w X 72" t	1.5 HP	230/460 VAC	500
SD-1000	40 ft ³	56" w X 86" t	3 HP	230/460 VAC	1,000
SD-1500	60 ft ³	60" w X 98" t	5 HP	230/460 VAC	1,500